

**Take to nearest metal recycling facility.**

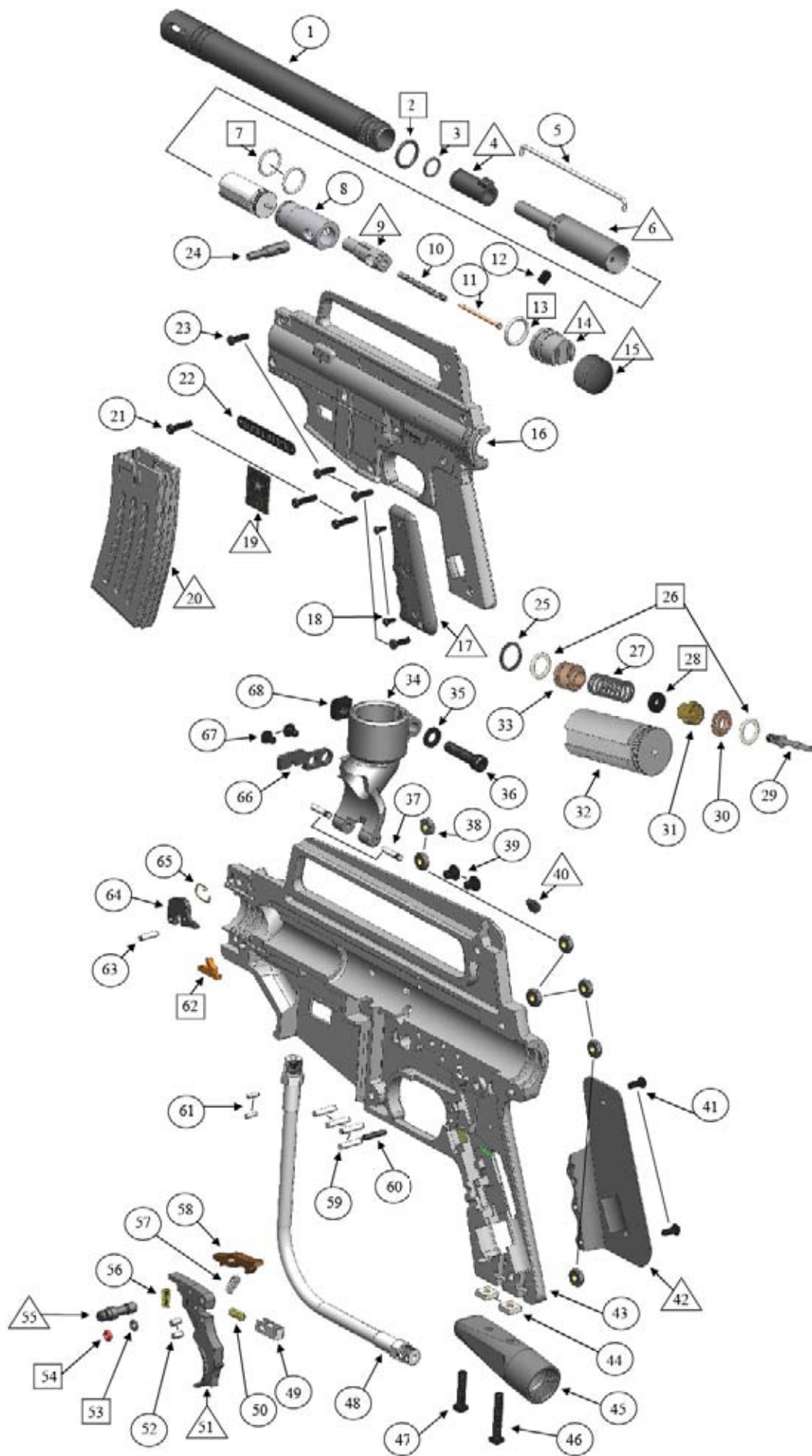
| Part No. | Description |
|------------|---------------------------------|
| 1 TA02015 | Linkage Arm |
| 5 TA02014 | AC Upper Spring (long) |
| 6 TA02012 | AC Drive Spring |
| 9 CA-15 | Guide Pin |
| 10 TA02018 | AC Rear Bolt |
| 11 98-13 | Bolt Handle |
| 12 TA02074 | Receiver (Left Rear) |
| 14 CA-02A | Grip Screw (2) |
| 17 TA02007 | Name Plate |
| 18 02-22 | Velocity Screw |
| 20 98-01B | Receiver Bolt (Long) (1) |
| 21 98-01A | Receiver Bolt (Short) (6) |
| 22 TA02073 | Receiver (Left Front) |
| 26 TA02067 | Stock Barrel |
| 27 PA-31A | Valve Snap Ring |
| 29 98-32 | Valve Spring |
| 31 CA-30N | Valve Stem |
| 32 CA-27 | Front Valve Seat |
| 33 CA-29 | Valve Stem Cup |
| 34 TA02068 | Valve Body |
| 35 98-56 | Valve Plug |
| 36 PL-42D | Hopper Nut |
| 37 98-45 | Flat Washer |
| 38 PL-42C | Hopper Bolt |
| 41 CA-02A | Rail Bolt (3) |
| 42 TA02060 | Receiver Nut (Small) |
| 44 9-PA | Receiver Nut |
| 45 CA-02A | Grip Screws |
| 49 TA02077 | Sear Pin (Black) |
| 50 TA02075 | Receiver (Right) |
| 51 CA-08B | Adapter Nut (2) |
| 52 TA02061 | Tank Adapter |
| 53 98-06A | Adapter Bolt (long) |
| 54 PL-01A | Adapter Bolt (short) |
| 55 02-35 | Sear |
| 56 98-18 | Trigger Return Slide |
| 57 TA02036 | Sear Spring |
| 58 98-20 | Trigger/Return Slide Spring (2) |
| 60 TA02062 | Gas Line |
| 63 98-19 | Return Slide Dowel Pin (2) |
| 64 TA02076 | Receiver Dowel Pin (4) |
| 65 TA02078 | Linkarm Pin (2) |
| 66 TA02063 | Hex Nut |
| 69 CA-02B | Nut (3) |
| 70 TA02065 | Front Sight Pin |
| 71 TA02064 | Front Sight |
| 72 98-44 | Front Sight Spring |
| 73 98-04A | Feed Elbow Pin (2) |
| 74 98-43 | Feed Elbow Latch |
| 75 TA05052 | Feed Latch Bolt (2) |

**Take to nearest plastic recycling facility that accepts**

| | |
|------------|--------------------|
| 3 TA02016 | AC Spring Cup |
| 4 TA02017 | AC Spring Pin |
| 8 TA02088 | AC End Cap |
| 13 TA05003 | Split Grip (Left) |
| 15 98-07 | Front Grip |
| 23 02-17 | Front Bolt |
| 25 TA02066 | Custom Power Tube |
| 39 98-04 | Feed Elbow |
| 40 TA02069 | Picatunny Rail |
| 43 TA05021 | Plugs (2) |
| 48 TA05004 | Split Grip (Right) |
| 59 98-37N | Safety |
| 61 98-38 | Trigger Guard |
| 62 98-38A | Trigger |

**Dispose of via household waste**

| | |
|------------|----------------------------|
| 2 98-40 | Barrel O-Ring |
| 7 TA02020 | AC Buffer O-Ring |
| 16 98-12A | Valve/Rear Bolt O-Ring (2) |
| 19 18-PA | Valve O-Ring |
| 24 SL2-4 | Front Bolt O-Ring |
| 28 SL2-25 | Valve Seat O-Ring (2) |
| 30 PA-28 | Cup Seal |
| 46 98-55 | Safety O-Ring (Red) |
| 47 FA-07 | Safety O-Ring (Black) |
| 67 TA10053 | Receiver O-Ring |
| 68 FA-18 | Ball Latch |



**Take to nearest metal recycling facility.**

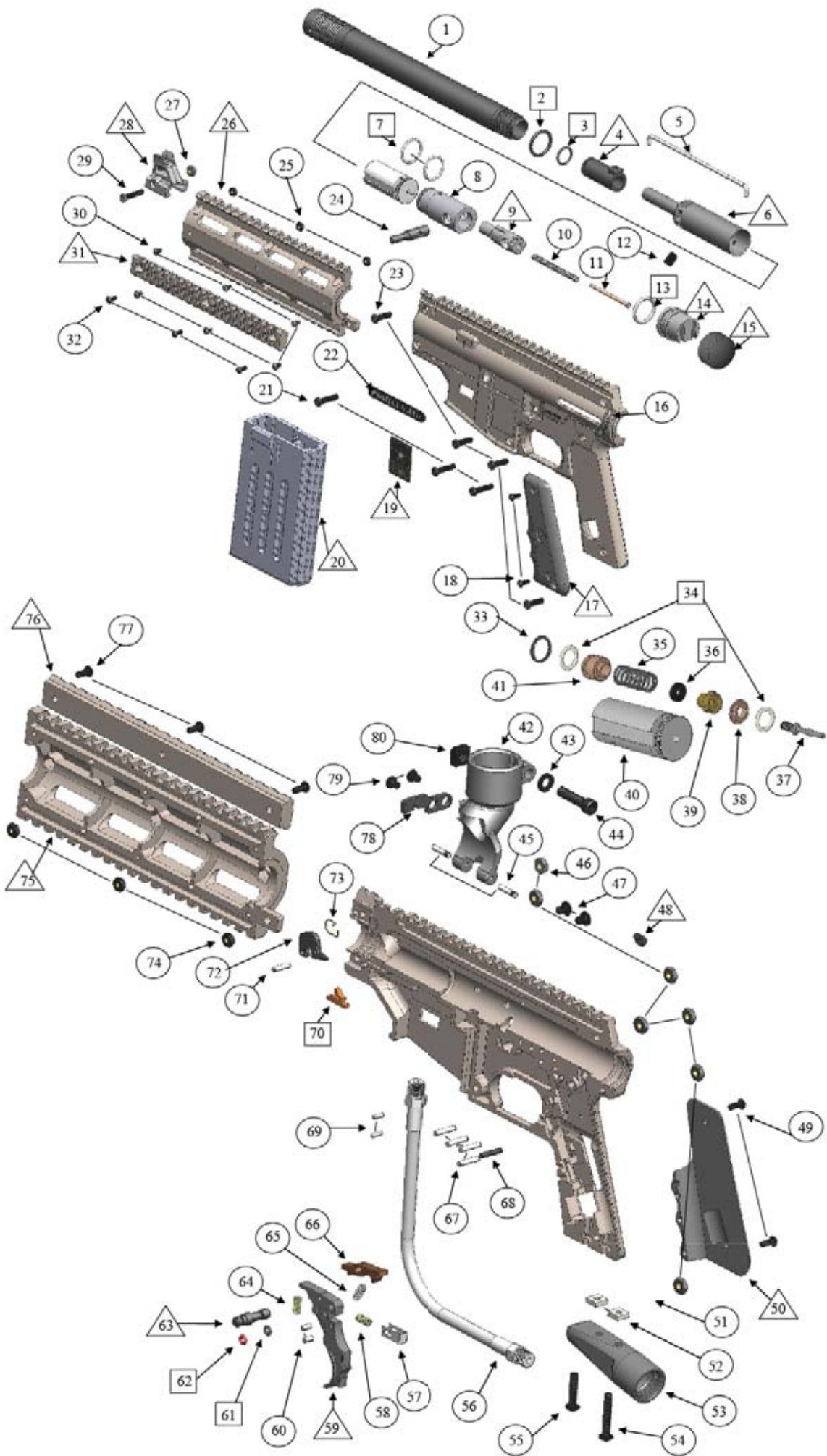
| Part No. | Description |
|------------|--------------------------------|
| 1 TA06005 | Stock Barrel |
| 5 TA01016 | Linkage Arm |
| 8 TA02011 | Rear Bolt |
| 10 CA-14 | Drive Spring |
| 11 CA-15 | Guide Pin |
| 12 02-22 | Velocity Screw |
| 13 98-57 | Buffer O-Ring |
| 16 TA06001 | Receiver (Left) |
| 18 CA-02A | Grip Screw (2) |
| 21 TA06015 | Receiver Bolt (Long) (3) |
| 22 TA06022 | Name Plate |
| 23 98-01A | Receiver Bolt (Short) (4) |
| 24 98-13 | Bolt Handle |
| 25 PA-31A | Valve Snap Ring |
| 27 98-32 | Valve Spring |
| 29 CA-30N | Valve Stem |
| 30 CA-27 | Front Valve Seat |
| 31 CA-29 | Valve Stem Cup |
| 32 TA02068 | Valve Body |
| 33 98-56 | Valve Plug |
| 34 98-04 | Feed Elbow |
| 35 98-45 | Flat Washer |
| 36 PL-42C | Hopper Bolt |
| 37 98-04A | Feed Elbow Pin (2) |
| 38 9-PA | Receiver Nut (7) |
| 39 98-26 | Valve Lock Bolt (2) |
| 41 CA-02A | Grip Screw (2) |
| 43 TA06002 | Receiver (Right) |
| 44 CA-08B | Adapter Nut |
| 45 98-06 | Tank Adapter |
| 46 98-06A | Adapter Bolt (Long) |
| 47 PL-01A | Adapter Bolt (Short) |
| 48 98-09N | Gas Line |
| 49 98-18 | Trigger Return Slide |
| 50 98-20 | Return Slide Spring (Yellow) |
| 52 98-19 | Return Slide Dowel Pin |
| 56 98-20 | Trigger Slide |
| 57 TA02036 | Sear Spring |
| 58 02-35 | Sear |
| 59 98-33 | Receiver Dowel Pin (4) |
| 60 CA-36 | Sear Pin (Black) |
| 61 TA02021 | Link Arm Pin (2) |
| 63 98-15 | Feed Lock Pin (Front Sight) |
| 64 98-14 | Feed Lock (Front Sight) |
| 65 98-44 | Feed Lock Spring (Front Sight) |
| 66 98-43 | Feed Elbow Latch |
| 67 TA05052 | Feed Elbow Bolt (2) |
| 68 PL-42D | Hopper Nut |

**Take to nearest plastic recycling facility that accepts**

| | |
|------------|--------------------|
| 4 02-17 | Front Bolt O-Ring |
| 6 98-21NR | Custom Power Tube |
| 9 TA05005 | Rear Bolt Plug |
| 14 TA06006 | End Cap |
| 15 TA06017 | End Cap Cover |
| 17 TA06003 | Split Grip (Left) |
| 19 TA06023 | U.S. Army Plate |
| 20 TA06203 | Magazine |
| 40 TA05021 | Power Tube Plug |
| 42 TA05004 | Split Grip (Right) |
| 51 TA06004 | Trigger |
| 55 98-37N | Safety |

**Dispose of via household waste**

| | |
|-----------|----------------------------|
| 2 98-40 | Barrel O-Ring |
| 3 SL2-4 | Front Bolt O-Ring |
| 7 98-12A | Valve/Rear Bolt O-Ring (2) |
| 26 SL2-25 | Valve Seat O-Ring (2) |
| 28 PA-28 | Cup Seal |
| 53 FA-07 | Safety O-Ring (Black) |
| 54 98-55 | Safety O-Ring (Red) |
| 62 FA-18 | Ball Latch |



Take to nearest metal recycling facility.

| Part No. | Description |
|----------|--------------------------------------|
| 1 | TA06005 Stock Barrel |
| 5 | TA01016 Linkage Arm |
| 8 | TA02011 Rear Bolt |
| 10 | CA-14 Drive Spring |
| 11 | CA-15 Guide Pin |
| 12 | 02-22 Velocity Screw |
| 13 | 98-57 Buffer O-Ring |
| 16 | TA06001 Receiver (Left) |
| 18 | CA-02A Grip Screw (2) |
| 21 | TA06015 Receiver Bolt (Long) (3) |
| 22 | TA06022 Name Plate |
| 23 | 98-01A Receiver Bolt (Short) (4) |
| 24 | 98-13 Bolt Handle |
| 25 | TA06208 Shroud Nut |
| 27 | TA06208 Shroud Front Sight Nut |
| 29 | TA06208 Shroud Front Sight Bolt |
| 30 | TA06208 Shroud Screw |
| 32 | TA06208 Shroud Accessory Rail Bolt |
| 33 | PA-31A Valve Snap Ring |
| 35 | 98-32 Valve Spring |
| 37 | CA-30N Valve Stem |
| 38 | CA-27 Front Valve Seat |
| 39 | CA-29 Valve Stem Cup |
| 40 | 98-25N Valve Body |
| 41 | 98-56 Valve Plug |
| 42 | 98-04 Feed Elbow |
| 43 | 98-45 Flat Washer |
| 44 | PL-42C Hopper Bolt |
| 45 | 98-04A Feed Elbow Pin (2) |
| 46 | 9-PA Receiver Nut (7) |
| 47 | 98-26 Valve Lock Bolt (2) |
| 49 | CA-02A Grip Screw (2) |
| 51 | TA06002 Receiver (Right) |
| 52 | CA-08B Adapter Nut |
| 53 | 98-06 Tank Adapter |
| 54 | 98-06A Adapter Bolt (Long) |
| 55 | PL-01A Adapter Bolt (Short) |
| 56 | 98-09N Gas Line |
| 57 | 98-18 Trigger Return Slide |
| 58 | 98-20 Return Slide Spring (Yellow) |
| 60 | 98-19 Return Slide Dowel Pin |
| 64 | 98-20 Trigger Slide |
| 65 | TA02036 Sear Spring |
| 66 | 02-35 Sear |
| 67 | 98-33 Receiver Dowel Pin (4) |
| 68 | CA-36 Sear Pin (Black) |
| 69 | TA02021 Link Arm Pin (2) |
| 71 | 98-15 Feed Lock Pin (Front Sight) |
| 72 | 98-14 Feed Lock (Front Sight) |
| 73 | 98-44 Feed Lock Spring (Front Sight) |
| 74 | TA06208 Shroud Nut |
| 77 | TA06208 Shroud Bolt |
| 78 | 98-43 Feed Elbow Latch |
| 79 | TA05052 Feed Elbow Bolt (2) |
| 80 | PL-42D Hopper Nut |

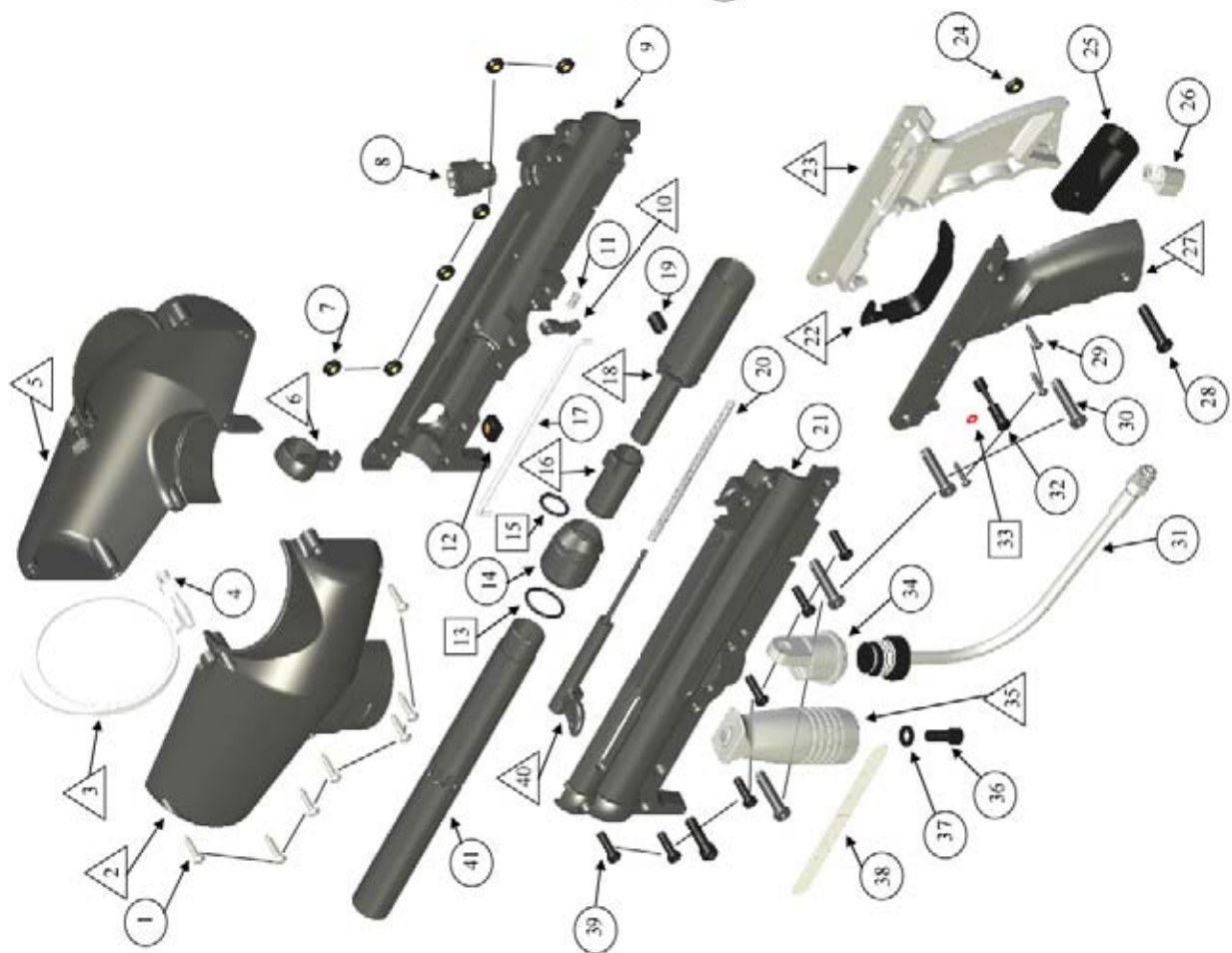
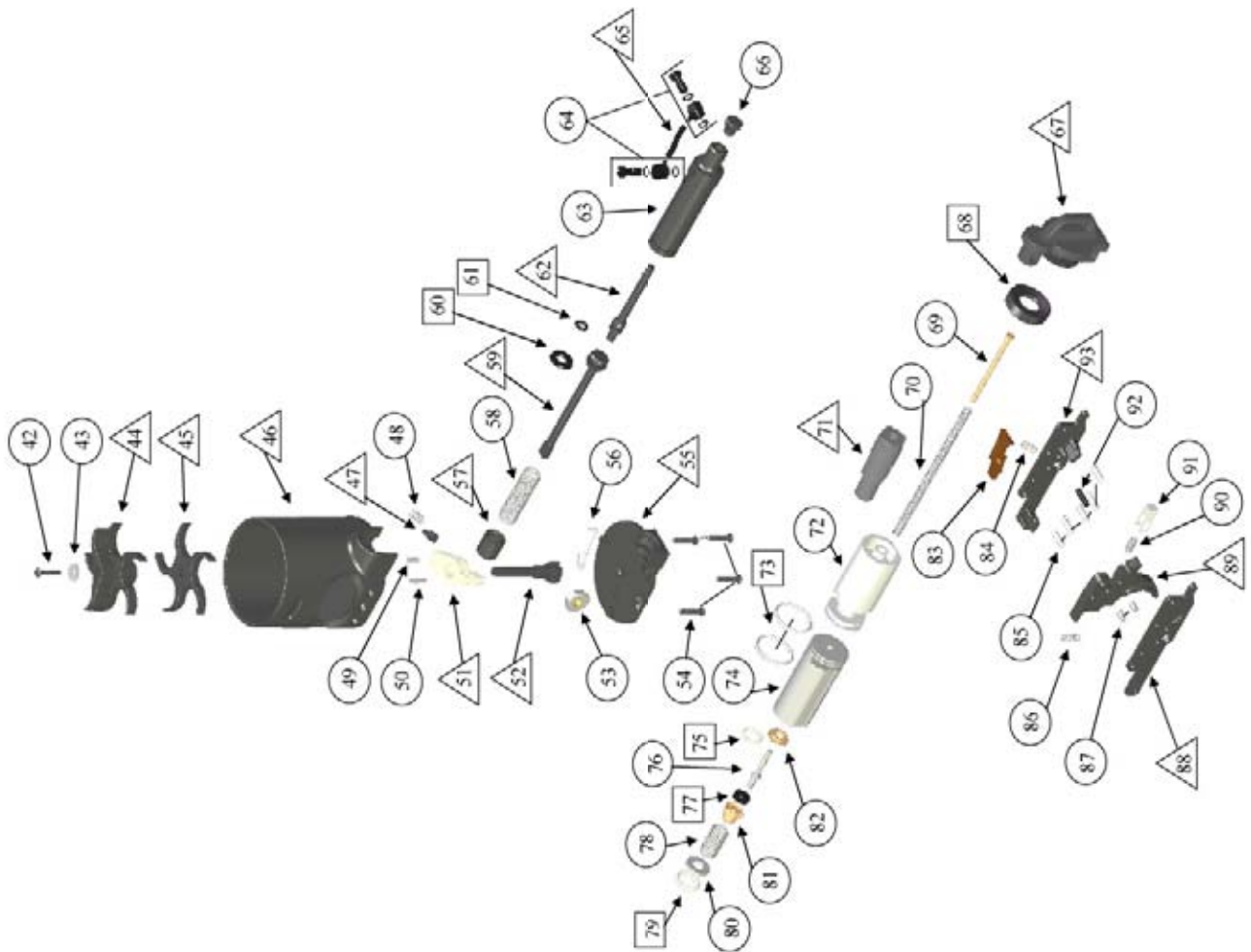
Take to nearest plastic recycling facility that accepts



| | |
|----|-------------------------------|
| 4 | 02-17 Front Bolt O-Ring |
| 6 | 98-21NR Custom Power Tube |
| 9 | TA05005 Rear Bolt Plug |
| 14 | TA06006 End Cap |
| 15 | TA06017 End Cap Cover |
| 17 | TA06003 Split Grip (Left) |
| 19 | TA06023 U.S. Army Plate |
| 20 | TA06203 Magazine |
| 26 | TA06208 Shroud, Left |
| 28 | TA06208 Shroud Front Sight |
| 31 | TA06208 Shroud Accessory Rail |
| 48 | TA05021 Power Tube Plug |
| 50 | TA05004 Split Grip (Right) |
| 59 | TA06004 Trigger |
| 63 | 98-37N Safety |
| 75 | TA06208 Shroud, Right |
| 76 | TA06208 Shroud Accessory Rail |

Dispose of via household waste

| | |
|----|-----------------------------------|
| 2 | 98-40 Barrel O-Ring |
| 3 | SL2-4 Front Bolt O-Ring |
| 7 | 98-12A Valve/Rear Bolt O-Ring (2) |
| 34 | SL2-25 Valve Seat O-Ring (2) |
| 36 | PA-28 Cup Seal |
| 61 | FA-07 Safety O-Ring (Black) |
| 62 | 98-55 Safety O-Ring (Red) |
| 70 | FA-18 Ball Latch |



Take to nearest metal recycling facility.

| Part No. | Description |
|----------|-------------------------------------|
| 1 | 02-31 Hopper Screws (7) |
| 4 | 02-34 Hopper Lid Spring |
| 7 | 9-PA Receiver Nut (6) |
| 8 | 02-27 Rear Sight |
| 9 | TA01101 Receiver, Right |
| 11 | 02-20S Spring (Red) |
| 12 | PL-42D 1/4-20 Nut (Front Grip Bolt) |
| 14 | 02-69 Barrel Adapter |
| 17 | TA01016 Linkage Arm |
| 19 | 02-22 Velocity Screw |
| 20 | 02-14 Cocking Spring Handle |
| 21 | TA01100 Receiver, Left |
| 24 | 9-PA Receiver Nut |
| 25 | 02-06 Tank Adapter |
| 26 | TA10025 Gas Line Elbow |
| 28 | 98-01B Receiver Bolt, Long |
| 29 | PL-42A Screw (3) |
| 30 | 02-PUSH Push Pin (40) |
| 31 | 02-09 Gas Line |
| 32 | 98-55 Safety O-Ring Red |
| 34 | 02-24 Tombstone Adapter |
| 36 | CA-40 Front Grip Bolt |
| 37 | 98-45 Flat Washer |
| 38 | 02-70 Name Plate |
| 39 | 98-01A Receiver Bolt (Short) (6) |
| 41 | 02-39 A-5 Barrel |
| 42 | PL-42A Screw |
| 43 | 02-48 Feeder Screw, Washer |
| 48 | TA01260 Ratchet Spring |
| 49 | 02-52S Ratchet Pin (Short) |
| 50 | 02-52L Ratchet Pin (Long) |
| 53 | 02-42 Feeder Housing Nut |
| 54 | PL-42A Screw (4) |
| 56 | 02-50 Feeder Ratchet Spring |
| 58 | 02-66 Cylinder Spring |
| 63 | 02-62 Feeder Cylinder |
| 64 | 20-07 Banjo Fitting (2) |
| 66 | 02-61 Reset Bottom |
| 69 | CA-15 Guide Pin |
| 70 | CA-14 Drive Spring |
| 72 | 02-11 Rear Bolt |
| 74 | 02-25 Valve Body |
| 76 | CA-30N Valve Stem |
| 78 | PA-32 Valve Spring |
| 80 | Feb-71 Valve Washer |
| 81 | 98-56 Valve Plug |
| 82 | CA-27 Front Valve Seat |
| 83 | 02-35 Sear |
| 84 | 02-20 Sear Spring (Blue) |
| 85 | 02-33 Trigger Plate Pin (5) |
| 86 | 02-20S Trigger Spring Red |
| 87 | 98-19 Trigger Slider Pin (2) |
| 90 | 02-20 Slider Spring (Blue) |
| 91 | 98-18 Trigger Slider |
| 92 | 02-33A Sear Pin (Black) |

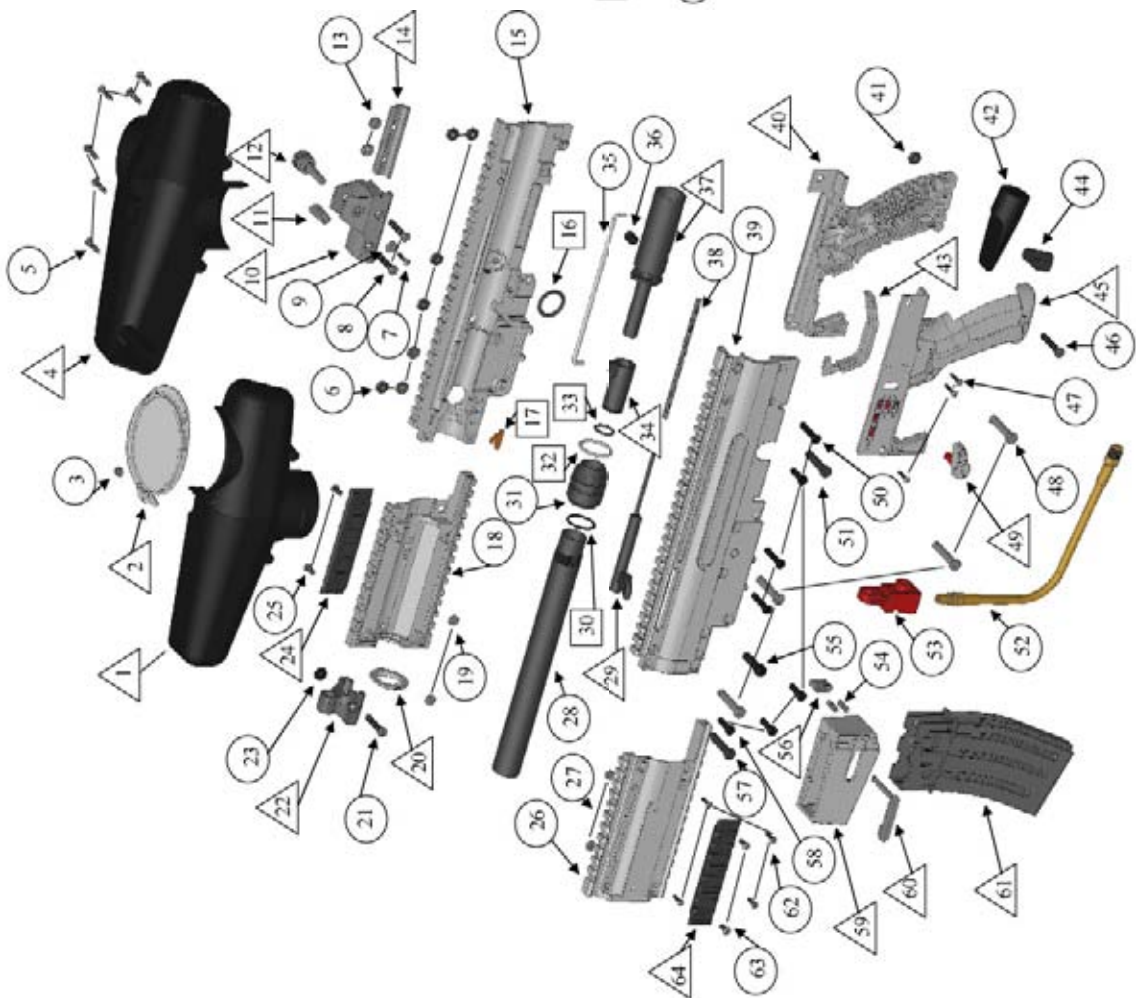
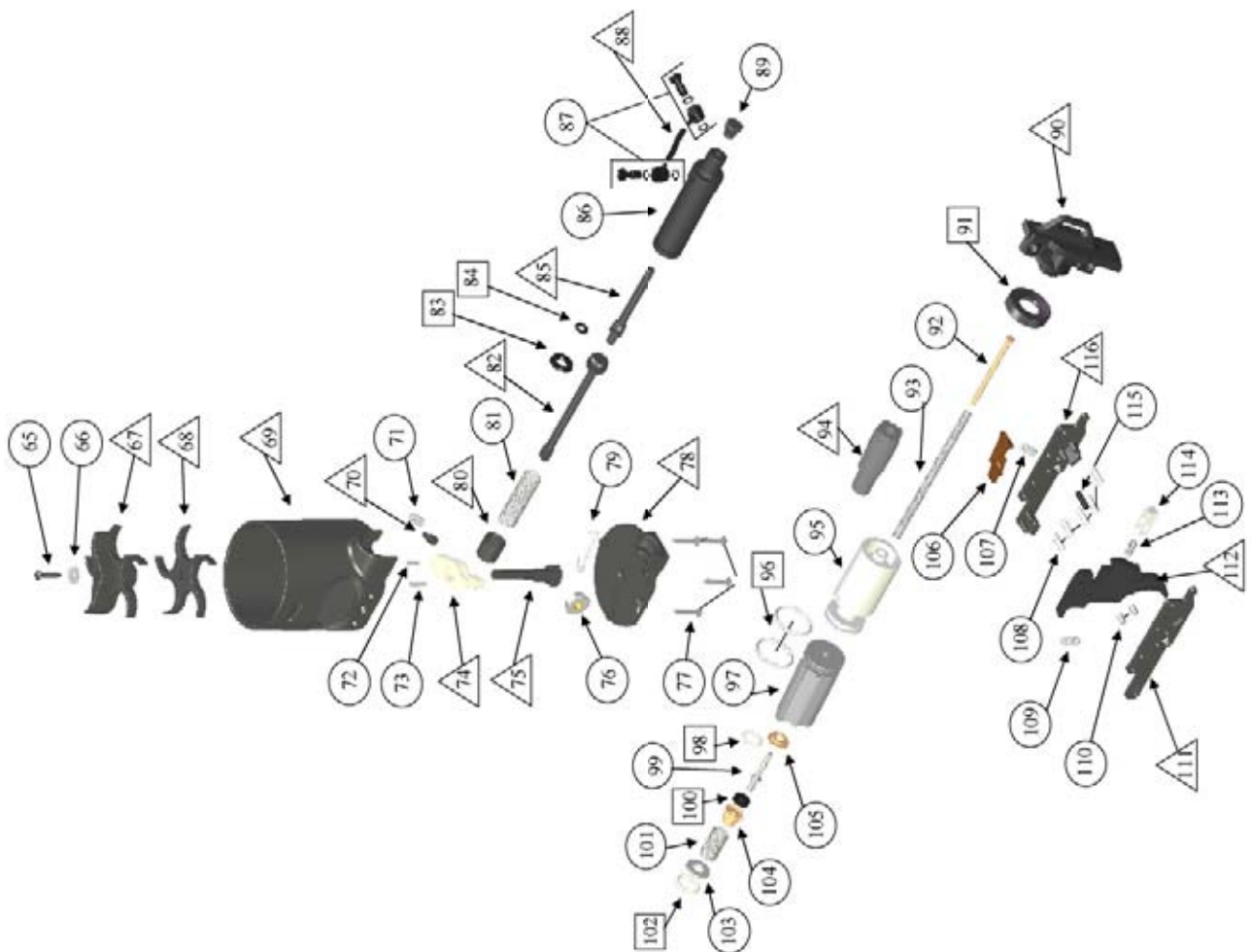
Take to nearest plastic recycling facility that accepts



| | |
|----|-------------------------------|
| 2 | 02-29L Hopper Left Side |
| 3 | 02-30 Hopper Lid |
| 5 | 02-29R Hopper Right Side |
| 6 | 02-15 Front Sight |
| 10 | 02-73 Tombstone Latch |
| 16 | 02-17 Front Bolt |
| 18 | 02-21 Power Tube |
| 22 | 02-38 Trigger Guard |
| 23 | 02-02R Lower Receiver, Right |
| 27 | 02-02L Lower Receiver, Left |
| 35 | 02-07 Front Grip |
| 40 | 02-13 Cocking Handle |
| 44 | TA10036 Upper Sprocket |
| 45 | TA10035 Lower Sprocket |
| 46 | 02-43 Cyclone™ Feeder Housing |
| 47 | 02-51 Ratchet Spring Guide |
| 51 | 02-53 Ratchet |
| 52 | 02-49 Feeder Axle |
| 55 | 02-44 Feeder Bottom Plate |
| 57 | 02-64 Cylinder Plug |
| 59 | 02-54 Cylinder Piston |
| 62 | 02-65 Feeder Reset Rod |
| 65 | 20-18 Cylinder Hose |
| 67 | TA01015 End Cap |
| 71 | TA01010 Rear Bolt Plug |
| 88 | 02-67L Left Trigger Plate |
| 89 | 02-36 Trigger |
| 93 | 02-67R Right Trigger Plate |

Dispose of via household waste

| | |
|----|-----------------------------------|
| 13 | 02-40 Barrel O-Ring |
| 15 | SL2-4 Front Bolt O-Ring |
| 33 | 02-37 Safety |
| 60 | 02-63 U cup Seal |
| 61 | SL2-6 Cylinder Reset O-Ring |
| 68 | TA01014 Buffer Washer |
| 73 | 98-12A Valve/Rear Bolt O-Ring (2) |
| 75 | SL2-25 Valve O-Ring Small |
| 77 | PA-28 Cup Seal |
| 79 | Feb-72 Valve O-Ring Large |



Take to nearest metal recycling facility.

| Part No. | Description |
|----------|----------------------------------|
| 3 | 02-34 Hopper Lid Spring |
| 5 | 02-31 Hopper Screws (7) |
| 6 | 9-PA Receiver Nut (6) |
| 7 | PL-42A Screw (3) |
| 8 | 02-48 Washer |
| 9 | TA07065 Sight Bolt (2) |
| 13 | 9-PA Receiver Nut (6) |
| 15 | TA10030 Receiver Right |
| 18 | TA10006 Front Grip Right |
| 19 | CA-02B Nut (2) |
| 21 | TA07065 Sight Bolt |
| 23 | CA-02B Nut |
| 25 | CA-02A Bolt BHCS (2) |
| 26 | TA10005 Front Grip, Left |
| 27 | CA-02B Nut (2) |
| 28 | 02-39 A-5 Barrel |
| 31 | 02-69 Barrel Adapter |
| 35 | TA01016 Linkage Arm |
| 36 | 02-22 Velocity Screw |
| 38 | 02-14 Cocking Spring Handle |
| 39 | TA10031 Receiver, Left |
| 41 | 9-PA Receiver Nut (6) |
| 42 | 02-06 Tank Adapter |
| 44 | TA10025 Gas Line Elbow |
| 45 | TA10010 Lower Receiver, Left |
| 47 | PL-42A Screw (3) |
| 48 | TA10045 Push Pin (Long) (4) |
| 50 | TA07074 Receiver Bolt (Long) (3) |
| 51 | 02-PIN Push Pin (Short) |
| 52 | TA10024 Gas Line |
| 53 | TA10022 Tombstone Adapter |
| 54 | 02-20S Spring (Red) |
| 55 | 02-41 Feeder Housing Bolt |
| 57 | 02-PIN Push Pin (Short) |
| 58 | 98-01A Receiver Bolt (Short) (6) |
| 62 | TA10023 Screw (4) |
| 63 | CA-02A Bolt BHCS (2) |
| 65 | PL-42A Screw |
| 66 | 02-48 Feeder Screw, Washer |
| 71 | TA01260 Ratchet Spring |
| 72 | 02-52S Ratchet Pin (Short) |
| 73 | 02-52L Ratchet Pin (Long) |
| 76 | 02-42 Feeder Housing Nut |
| 77 | PL-42A Screw (4) |
| 79 | 02-50 Feeder Ratchet Spring |
| 81 | 02-66 Cylinder Spring |
| 86 | 02-62 Feeder Cylinder |
| 87 | 20-07 Banjo Fitting (2) |
| 89 | 02-61 Reset Buttom |
| 92 | CA-15 Guide Pin |
| 93 | CA-14 Drive Spring |
| 95 | 02-11 Rear Bolt |
| 97 | 02-25 Valve Body |
| 99 | CA-30N Valve Stem |
| 101 | PA-32 Valve Spring |
| 103 | 25965 Valve Washer |
| 104 | 98-56 Valve Plug |
| 105 | CA-27 Front Valve Seat |
| 106 | 02-35 Sear |

Take to nearest metal recycling facility.

| Part No. | Description |
|----------|------------------------------|
| 107 | 02-20 Sear Spring (Blue) |
| 108 | 02-33 Trigger Plate Pin (5) |
| 109 | 02-20S Trigger Spring Red |
| 110 | 98-19 Trigger Slider Pin (2) |
| 113 | 02-20 Slider Spring (Blue) |
| 114 | 98-18 Trigger Slider |
| 115 | 02-33A Sear Pin (Black) |

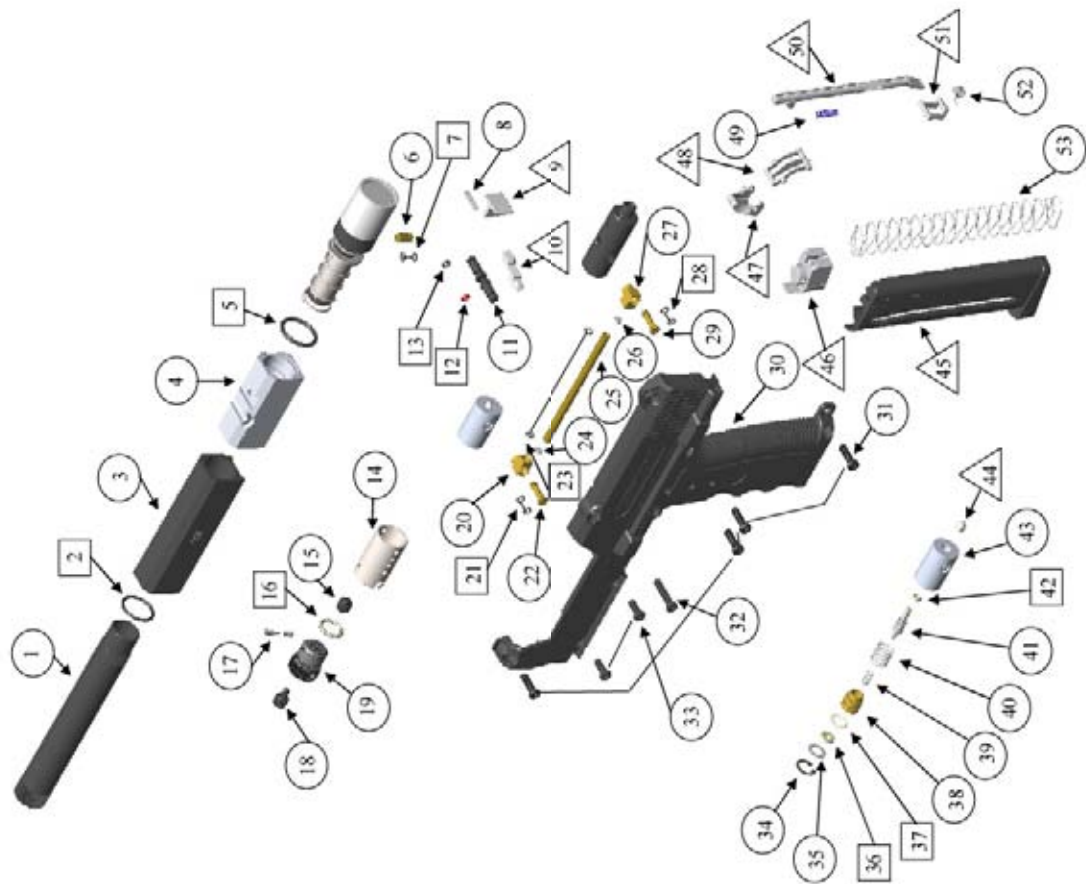
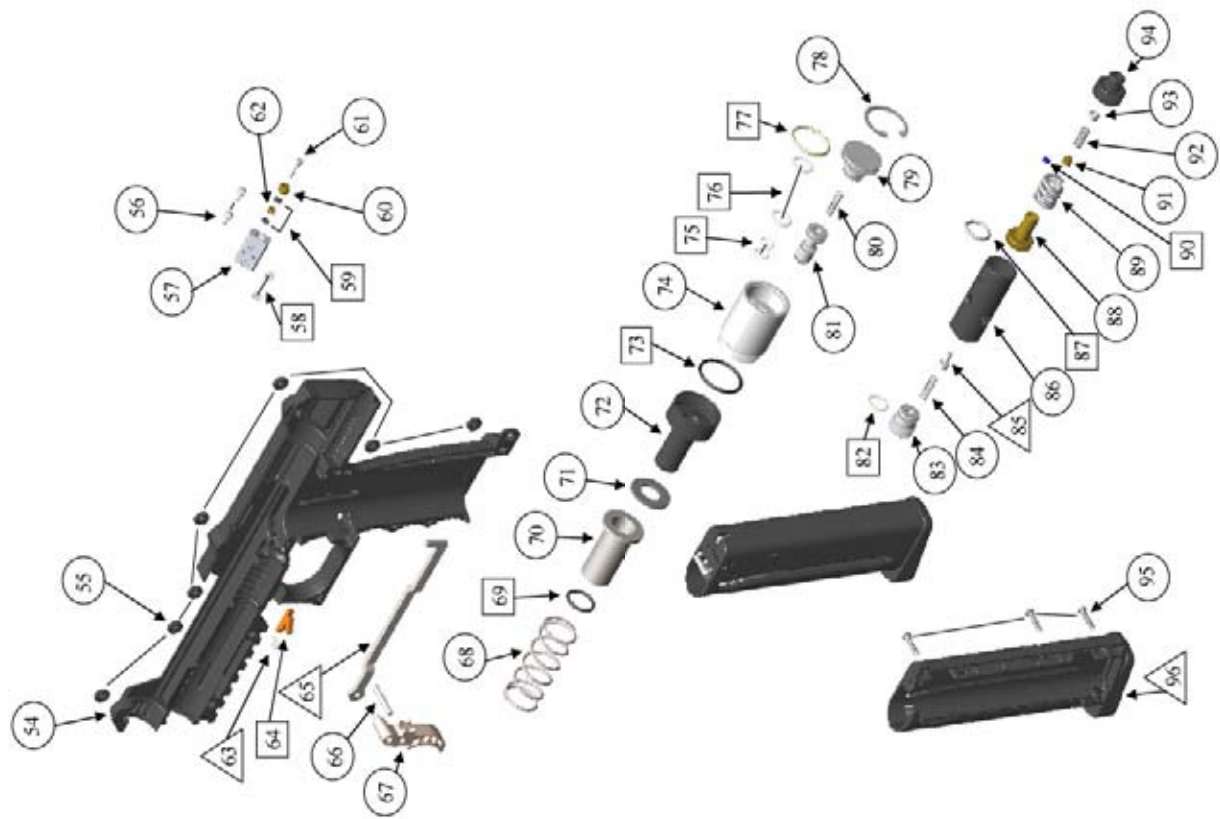
Take to nearest plastic recycling facility that accepts



| | |
|-----|-------------------------------|
| 1 | TA10008 Hopper Left Side |
| 2 | 02-30 Hopper Lid |
| 4 | TA10009 Hopper Right Side |
| 10 | TA10016 Rear Sight |
| 11 | TA10019 Rear Sight Notch |
| 12 | TA10017 Rear Sight Adjuster |
| 14 | TA10018 Clamp |
| 20 | TA10003 Barrel Spacer |
| 22 | TA10007 Front Sight |
| 24 | TA10002 Accessory Rail |
| 29 | 02-13 Cocking Handle |
| 34 | 02-17 Front Bolt |
| 37 | 02-21 Power Tube |
| 43 | 02-38 Trigger Guard |
| 49 | TA10020 Safety |
| 56 | TA10014 Magazine Button |
| 59 | TA10013 Magazine Base |
| 60 | TA10015 Magazine Pin |
| 61 | TA10012 Magazine |
| 64 | TA10002 Accessory Rail |
| 67 | TA10036 Upper Sprocket |
| 68 | TA10035 Lower Sprocket |
| 69 | 02-43 Cyclone™ Feeder Housing |
| 70 | 02-51 Ratchet Spring Guide |
| 74 | 02-53 Ratchet |
| 75 | 02-49 Feeder Axle |
| 78 | 02-44 Feeder Bottom Plate |
| 80 | 02-64 Cylinder Plug |
| 82 | 02-54 Cylinder Piston |
| 85 | 02-65 Feeder Reset Rod |
| 88 | 20-18 Cylinder Hose |
| 90 | TA01015 End Cap |
| 94 | TA01010 Rear Bolt Plug |
| 111 | 02-67L Left Trigger Plate |
| 112 | 02-36 Trigger |
| 116 | 02-67R Right Trigger Plate |

Dispose of via household waste

| | |
|-----|-----------------------------------|
| 16 | TA10053 Receiver, O-Ring |
| 17 | FA-18 Ball Latch |
| 30 | 02-40 Barrel O-Ring |
| 32 | TA01008 Barrel Adapter O-Ring |
| 33 | SL2-4 Front Bolt O-Ring |
| 40 | TA10011 Lower Receiver, Right |
| 46 | 98-01B Receiver Bolt, Long |
| 83 | 02-63 U cup Seal |
| 84 | SL2-6 Cylinder Reset O-Ring |
| 91 | TA01014 Buffer Washer |
| 96 | 98-12A Valve/Rear Bolt O-Ring (2) |
| 98 | SL2-25 Valve O-Ring Small |
| 100 | PA-28 Cup Seal |
| 102 | 26330 Valve O-Ring Large |



**Take to nearest metal recycling facility.**

| Part No. | Description |
|----------|---|
| 1 | TA20006 TPX™ Barrel |
| 3 | TA20012 Barrel Shroud |
| 4 | TA20027 Barrel Adapter |
| 6 | TA20007 Gas Line (Short) |
| 8 | TA20051 Spring |
| 11 | TA20028 Safety |
| 14 | TA20053 CO ₂ Cap Receiver Insert |
| 15 | TA20083 Adjustment Screw |
| 17 | 98-19 Dowel Pin (2) |
| 18 | TA20084 Locking Screw |
| 19 | TA20062 CO ₂ Retainer |
| 20 | TA20020 Air Fitting Body |
| 22 | TA20019 Air Fitting Screw |
| 24 | TA20078 Sintered Filter |
| 25 | TA20021 Gas Line (Long) |
| 26 | TA20078 Sintered Filter |
| 27 | TA20020 Air Fitting Body |
| 29 | TA20019 Air Fitting Screw |
| 30 | TA20001 Receiver Left |
| 31 | 98-01A Bolt (4) |
| 32 | TA07074 Bolt |
| 33 | TA20036 Bolt (2) |
| 34 | TA07089 Snap Ring |
| 35 | TA20069 Washer |
| 38 | TA20032 Puncture Piston |
| 39 | TA20015 Spring |
| 40 | TA20048 Spring |
| 41 | TA20031 Puncture Pin |
| 43 | TA20033 Puncture Valve Body |
| 49 | 02-20 Spring |
| 52 | TA02-34 Spring |
| 53 | TA20058 Follower Spring |
| 54 | TA20002 Receiver Right |
| 55 | TA02060 Receiver Nut (8) |
| 56 | TA20052 Screw (2) |
| 57 | TA20004 Firing Valve Body |
| 60 | TA20030 Firing Valve Pin Guide |
| 61 | TA20005 Actuator Pin |
| 62 | TA20014 Valve Bushing |
| 66 | TA20063 Trigger Pin (Long) |
| 67 | TA20100 Trigger |
| 68 | TA30003 Front Bolt Spring |
| 70 | TA20109 Front Bolt |
| 71 | TA20077 Damper |
| 72 | TA20016 Power Tube |
| 74 | TA20009 Air Valve Body |
| 78 | TA20035 Retaining Ring |
| 79 | TA20011 Air Valve End Cap |
| 80 | 02-88 Spring |
| 81 | TA20013 Valve Spool |
| 83 | TA20026 Regulator End Cap |
| 84 | 02-88 Spring |
| 86 | TA20024 Regulator Body |
| 88 | TA20022 Regulator Piston |
| 89 | TA20058 Compression Spring |
| 91 | TA20066 Pressure Relief Seal Guide |
| 92 | TA20067 Compression Spring |
| 93 | TA20068 Pressure Relief Set Screw |
| 94 | TA20023 Regulator Adjustment Cap |
| 95 | PL-42A Screw (3) |

**Take to nearest plastic recycling facility that accepts**

| | |
|----|-----------------------------------|
| 9 | TA20042 Magazine Release Actuator |
| 10 | TA20040 Magazine Release |
| 44 | TA20039 Puncture Pin Cap |
| 45 | TA20054 Magazine Left |
| 46 | TA20056 Follower |
| 47 | TA20057 Follower Armature |
| 48 | TA20059 Magazine Ball Latch |
| 50 | TA20060 Release Armature |
| 51 | TA20061 Carrier Release |
| 63 | TA20043 Breech Windows |
| 65 | TA20037 Actuator Link |
| 85 | TA20025 Regulator Pin |
| 96 | TA20055 Magazine Right |

**Dispose of via household waste**

| | |
|----|-----------------------------|
| 2 | 02-40 O-Ring |
| 5 | TA20046 O-Ring |
| 7 | TA20050 O-Ring (2) |
| 12 | 98-55 Safety O-Ring (Red) |
| 13 | FA-07 Safety O-Ring (Black) |
| 16 | 18-PA O-Ring |
| 21 | TA20050 O-Ring (2) |
| 23 | TA20050 O-Ring (2) |
| 28 | TA20050 O-Ring (2) |
| 36 | TA20034 Puncture Seal |
| 37 | SL2-25 O-Ring |
| 42 | TA20049 O-Ring |
| 58 | TA20047 O-Ring (2) |
| 59 | TA20008 O-Ring (2) |
| 64 | FA-18 Ball Latch |
| 69 | SL-4 Front Bolt O-Ring |
| 73 | TA20010 O-Ring |
| 75 | TA20003 O-Ring (2) |
| 76 | SL2-25 O-Ring (2) |
| 77 | 98-12A O-Ring |
| 82 | SL2-25 O-Ring |
| 87 | TA20041 O-Ring |
| 90 | TA20070 O-Ring |